



833902

证券代码

Professional Manufacturer for Surge Protective Device

中国LED照明防雷专家

QR-SPD08A

QR-SPD08A-10 QR-SPD08A-10/II



上海琪瑜光电科技股份有限公司
SHANGHAI QIYU OPTOELECTRONICS TECHNOLOGY CO.,LTD.

QR-SPD08A

Surge Protective Device



QR-SPD08A-10

QR-SPD08A-10/II



绝缘等级 Insulation Class	应用领域 Application field					
	TN	TNC	TNS	TNCS	TT	IT
一类灯具 Class I	✓	✓	✓	✓		
二类灯具 Class II	✓	✓	✓	✓	✓	✓

电性能参数 Electrical specifications

参数规格 Specifications	参数代码 Parameter	参数值 Value	测试环境 Condition
冲击类别 Classification		Class III (T3)	Acc. IEC61643-11
保护模式 Protection mode		Diff.mode&Comm.Mode; Comm.Mode(SPD08A-10/II)	
最大持续工作电压 (L-N) Max.continuous operating voltage	Uc (L-N)	275VAC	50-60 Hz
暂时过电压 Temporary overvoltage TOV	UT	337V	LV system fault : 255V×1.32 at tt=5s , TN
暂时过电压 Temporary overvoltage TOV	UT	442V	LV system fault : 255V×√3 at tt=120m , TN
电网类型 Power grids		TN,(QR-SPD08A-10) TN、TT、IT(QR-SPD08A-10/II)	Incl.all TN varieties TN-C, TN-C-S, TN-S
标称放电电流 (L-N) Nominal discharge current	In (L-N)	5kA	@Uoc=10KV ; internal resistance=2Ω
标称放电电流 (L-GND) Nominal discharge current	In (L-GND)	5kA N/A(QR-SPD08A-10/II)	@Uoc=10KV ; internal resistance=2Ω
标称放电电流 (N-GND) Nominal discharge current	In (N-GND)	5kA N/A(QR-SPD08A-10/II)	@Uoc=10KV ; internal resistance=2Ω
最大电压保护水平 (L-N) Max. voltage protection level at In	Up (L-N)	1,5kV	@Uoc=10KV ; internal resistance=2Ω
最大电压保护水平 (L-GND) Max. voltage protection level at In	Up (L-GND)	2kA N/A(QR-SPD08A-10/II)	@Uoc=10KV ; internal resistance=2Ω
最大电压保护水平 (N-GND) Max. voltage protection level at In	Up (N-GND)	2kA N/A(QR-SPD08A-10/II)	@Uoc=10KV ; internal resistance=2Ω
开路电压 Open-circuit voltage	Uoc	10kV	
后备保险丝 Backup fuse		16A	max.,gG fuse
失效指示 End of life indication		yes	指示灯亮: 正常工作 / Optical , light ON:SPD Is functional. 指示灯灭: 产品失效 / Light OFF:SPD has reached end-of-life
最大对地漏电流 Max earth leakage current at Uc		50μA(QR-SPD08A-10) N/A(QR-SPD08A-10/II)	Max.rms,to GND
IP防护等级 IP protection level		IP20	
寿命 Lifetime		100,000hours	最大外壳温度下90%产品正常工作 Measured@Tcase-max with min 90% survival

QR-SPD08A

Surge Protective Device



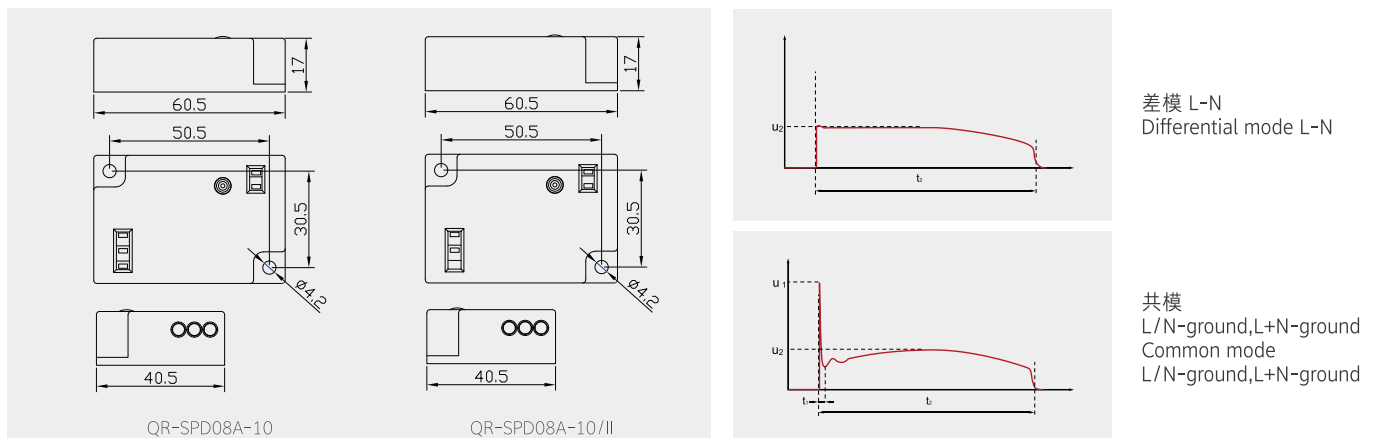
其它参数 Other specifications

参数规格 Specifications	参数值 Value	产品型号 Model	测试环境 Condition
抗冲击能力 Surge withstand capability	1 strikes	QR-SPD08A-10 QR-SPD08A-10/II	max. at 10KA
	20 strikes	QR-SPD08A-10 QR-SPD08A-10/II	max. at 5KA
	50 strikes	QR-SPD08A-10 QR-SPD08A-10/II	max. at 3KA
额定电流 Nominal current	5A	QR-SPD08A-10 QR-SPD08A-10/II	额定负载电流 (50-60Hz) Rated load current at 50 ... 60Hz
消耗功率 Power consumption	0.5W		max. at $U_c=275VAC$; Load current=5A
适用灯具 Suitable for luminaires	Class I Class II	QR-SPD08A-10 QR-SPD08A-10/II	绝缘等级按照IEC60598 Insulation Class acc. IEC60598

电压保护水平 Protection levels up

产品型号 Model	冲击电流 IC 8/20 μ s	差模 U2 Differential mode U2	共模(L-G)U1/U2 Common mode U1/U2	共模(N-G) U1/U2 Common mode U1/U2
QR-SPD08A-10	5KA	$\leq 1500V$	$\leq 2000V / 1000V$	$\leq 2000V / 1000V$
QR-SPD08A-10/II	5KA	$\leq 1500V$	N/A	N/A

产品外形 Environmental conditions



使用和储藏环境 Environmental conditions

参数规格 Specifications	参数值 Value	测试环境 Condition
环境温度 Ambient temperature	-40...70°C	
外壳表面温度 Tcase-max	80°C	在温度测量点测量 Measured at Tc-point
储藏环境温度 Storage temperature	-40...85°C	
相对湿度 Relative humidity	5...95%	不结露 Non-condensing
室外灯适用 Suitable for outdoor luminaires	Yes	室外需加防护 Outdoor with additional protection

Professional Manufacturer for
Surge Protective Device

中国LED照明防雷专家

833902

证券代码

上海琪瑜光电科技股份有限公司

SHANGHAI QIYU OPTOELECTRONICS TECHNOLOGY CO.,LTD.

地址 / 上海嘉定区浏翔公路1920号

电话 / 021 6915 1076

传真 / 021 6915 4211

邮箱 / sales@qiyu-lighting.com

网站 / www.qiyu-lighting.com

江苏琪瑜光电科技有限公司

JIANGSU QIYU OPTOELECTRONICS TECHNOLOGY CO.,LTD.

地址 / 江苏省无锡市锡山经济开发区蓉通路9号

电话 / 0510 8826 0969

传真 / 0510 8826 0955

邮箱 / sales@qiyu-lighting.com

网站 / www.qiyu-lighting.com